



EST.1975  
**MOTEX**  
PRODUCTS CO.,LTD.

[About MOTEX](#)[Products](#)[Downloads](#)[Service](#)[Contact us](#)

## :: ML Series P



**Model: ML series P**  
**Purpose: Label Printing**

- \* **Printing Scales with Ethernet**
- \* **Real time sales updates through Ethernet**
- \* **Enhanced label-editing program to record up to 100 label formats**

[Large View](#)[Manual](#)[Program](#)[Inquiry](#)

### □ FEATURES

#### → Easy Operation

... Registering PLUs and direct PLU keys, scaling, and printing out labels can be easily done  
... by simply referring to the indications on the display.

#### → Bright and Distinct Display

... Bright and distinct 7 segment VFD display clearly indicates the computed data to the  
... customers.

#### → Spacious Memory

... Standard : Save up to 9,000 items, 600 different ingredients and 210 advertising messages.

#### → Fast and Accurate Performance

... Advanced A/D converter and software with either 1/6000 single or 1/7500 dual range



... resolution offer fast and accurate scaling.

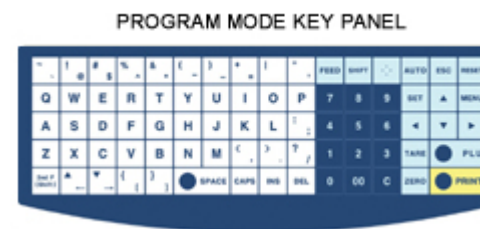
→ **Self Diagnosis**

... The scale identifies and indicates any error instantly for convenient handling and ... maintenance.

→ **Simple Update**

... Easily update scale program through RS232 Connection.

□ **KEY PANEL**



→ **Direct PLU Keys**

... The scale identifies and indicates any error instantly for convenient handling and ... maintenance.

□ **I/O CONNECTIONS**

→ **PC ↔ Scale and Scale ↔ Scale Connection**

... The RS 232C port (standard) provides a complete ... connection with the PC or with another scale and ... allows the user to easily upload / download the data

**Products**

▶ **Labelers**

▶ **Electronic Scales**

▣ **Commercial Scales**

- Label Printing Scales

- Price Computing Scales

▣ **Industrial Scales**

- Counting Scales

- Weighing Scales

- Bench Scales

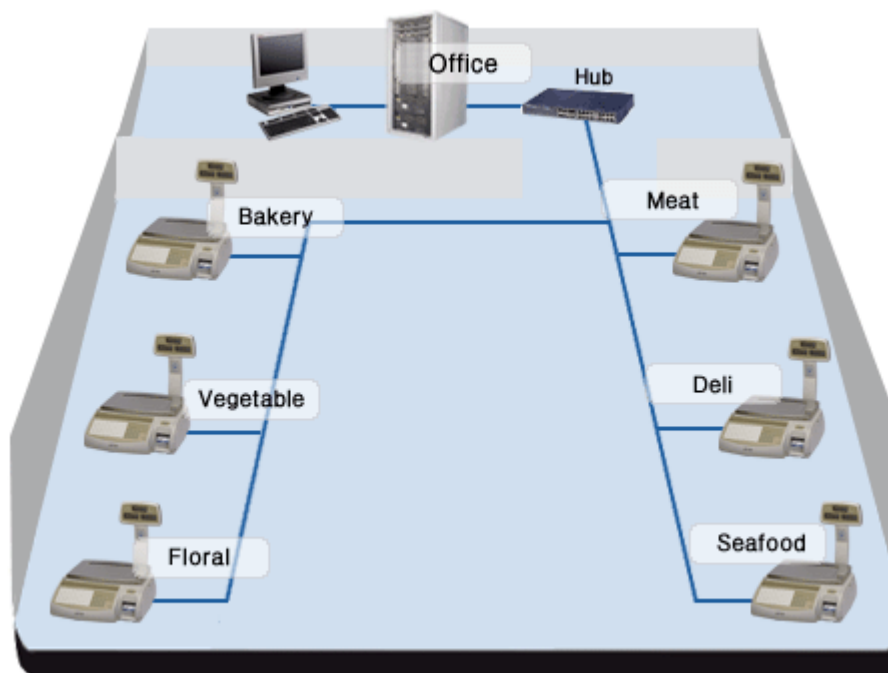
- Body Scales

▶ **Shredder**



→ Complete Networking

... The RS422 port or Ethernet LAN 10 Base T (option) interface formulates a complete PC ↔  
 ... Scale network and allows easy handling of all the scale data from the master computer or  
 ... master scale.



□ **PRINTING**



→ **Fast Label Printing**

... The equipped thermal printer prints out labels up to a ... length of 150mm at a rate of 80mm/sec.

□ **LABEL**

→ **Wide Range of Barcode Selection**

... Print 13 (Standard) or 18 digit barcode by selecting either EAN 8 or EAN 13 format.

... 1. 13 (Standard) Barcode Digit



... 2. 18 Barcode Digit

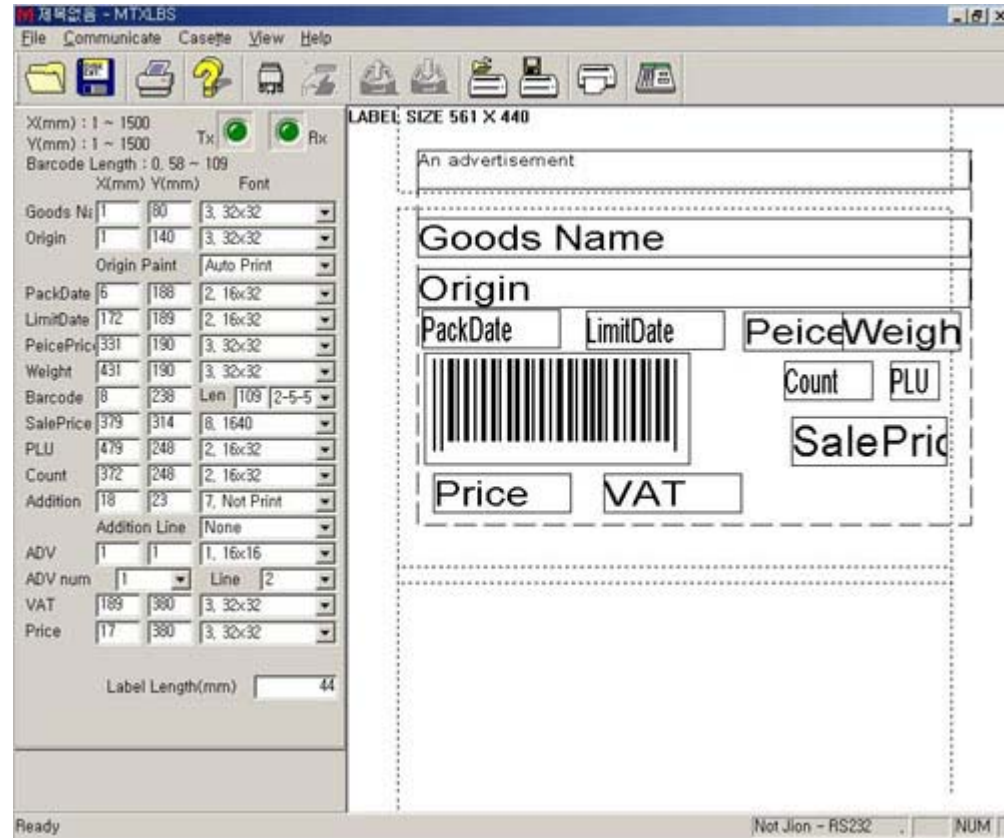


... 3. 8 Barcode Digit



➔ Various Label Formats and Designs

- ... Select from the 12 pre-stored label formats and sizes and setup preferred label formats to
- ... use any label by using the user label designing program.



→ Label Format Samples

- ... ▶ Maximum of 25 large size characters / line
- ... ▶ Maximum of 56 Medium size characters / line
- ... ▶ Maximum of 56 small size characters / line



60mm X 32mm



60mm X 40mm



60mm X 70mm

→ 12 Pre-stored Label Sizes

... Label formats and sizes can be changed in accordance with your preference.

(B: With Barcode. N: Without Barcode)

- 56 X 30 (B)
- 56 X 40 (B)
- 58 X 30 (N)
- 60 X 32 (B)
- 60 X 40 (B)
- 60 X 70 (B)

58 X 30 (B)	64 X 32 (N)
58 X 40 (B)	64 X 32 (B)
58 X 60 (B)	64 X 42 (B)

#### USER LABEL

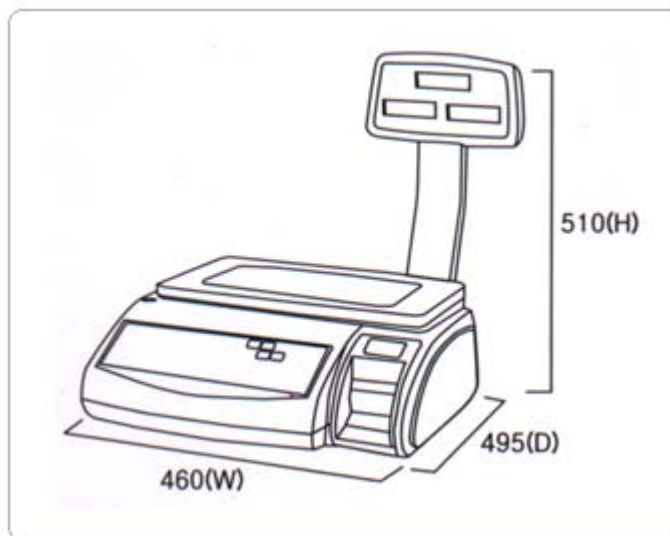
#### **OPTION**

---

- kg ↔ lb convertible.
- Max. Memory Expansion: Flash (32MB). S-RAM (16MB)
- Display Digits Expansion (Weight 5 / Unit Price 8 / Price 9)
- RS422 Port
- TCP/IP Ethernet (LAN 10 Base T) Port
- PC program CD

#### **DIMENSIONS**

---



□ **SPECIFICATIONS**

Rated Capacity	kg	6	15	25	30
	lb	12	30	50	60
Resolution(e=d)	kg	0.001	0.002 / 0.005	0.005	0.005
	lb	0.002	0.005 / 0.01	0.01	0.01
Tare Range	g	0~3	0~7.5	12.5	0~15
	lb	0~6	0~15	25	0~30
Weighing Range	g	0.02~6	0.04~15	0.1~25	0.1~30
	lb	0.04~12	0.1~30	2~50	2~60
Display Digits;VFD (Two side display)	Standard	Weight (5 digits), Unit Price (5 digits), Price (6 digits)			
	Option	Weight (5 digits), Unit Price (8 digits), Price (9 digits)			
PLU Memory	9000 PLUs. 150 Direct PLU Keys				
Print Type	Direct Thermal Type				

Label Size	Max. Length (150mm). Max. Width (60mm)	
Interface	Standard	RS232C Port:PC↔Scale and Scale↔Scale Connection
	Option	RS422 Port. TCP/IP Ethernet Port (LAN 10 Base T)
Operating Temperature & Humidity	-10°C~ +40°C, 85%	
Power Source	AC220V or AC110. 50/60Hz.	
Power Consumption	Max. 110W	
Platter Size (mm)	400(W) X 255(L)	
Dimensions(mm)	460(W) X 495(L) X 510(H)	
Product Weight(kg)	12kg	



Copyright (c) 2004 Motex Products Co., Ltd. All rights reserved.  
If you have any comment or question, please e-mail us

**ADDRESS** MOTEX B/D 3F, 92-4 Dangsang-Dong 4Ga Youngdungpo-Gu Seoul Korea **TEL 82-2-2274-9973 FAX**